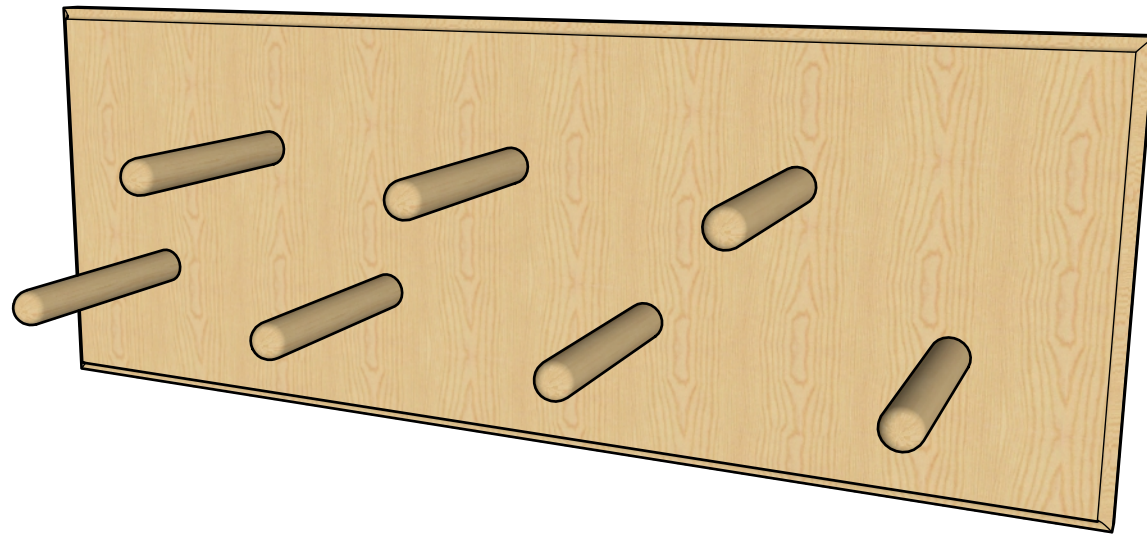


Scarf Rack



Overview



Author: Kyle Cameron

Company: Golden Coast Woodworks

Date: July 17, 2021

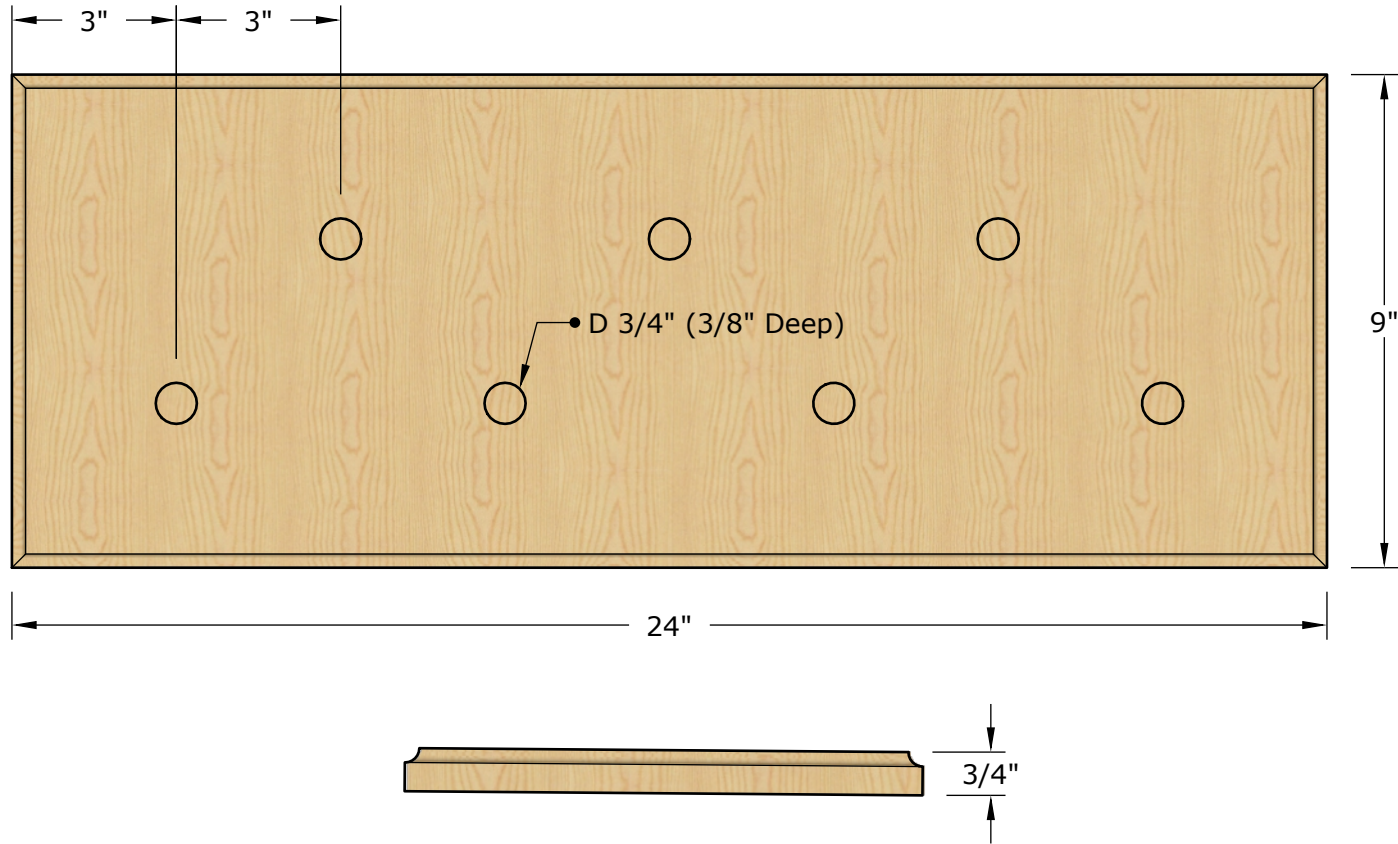
File Name: Scarf Rack

Overview

Page: 1

Plan Notes: The ogee profile that is routed into the edges is a roman ogee. The dowels are rounded over using a 1/2" round over bit.

Dowel Layout



Author: Kyle Cameron

Company: Golden Coast Woodworks

Date: July 17, 2021

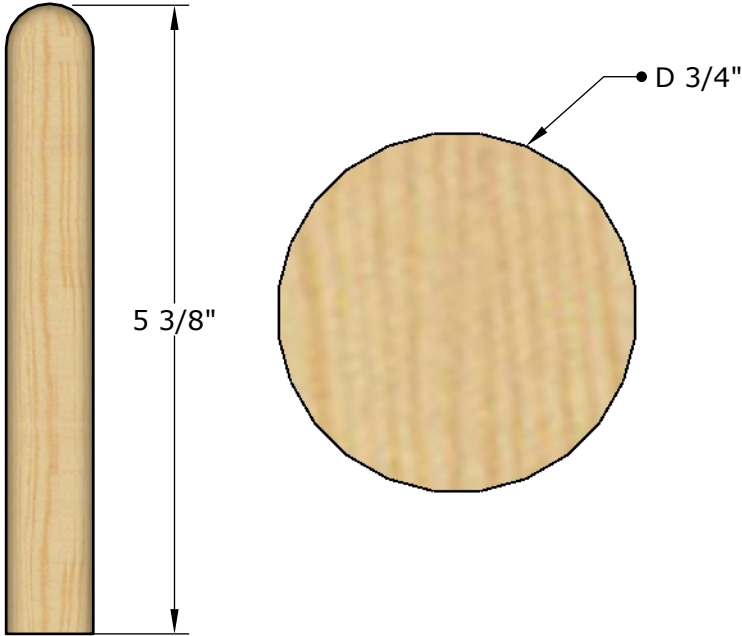
File Name: Scarf Rack

Dowel Layout

Page: 2

Plan Notes: The ogee profile that is routed into the edges is a roman ogee. The dowels are rounded over using a 1/2" round over bit.

Dowel Pegs



Author: Kyle Cameron

Company: Golden Coast Woodworks

Date: July 17, 2021

File Name: Scarf Rack

Dowel Pegs

Page: 3

Plan Notes: The ogee profile that is routed into the edges is a roman ogee. The dowels are rounded over using a 1/2" round over bit.