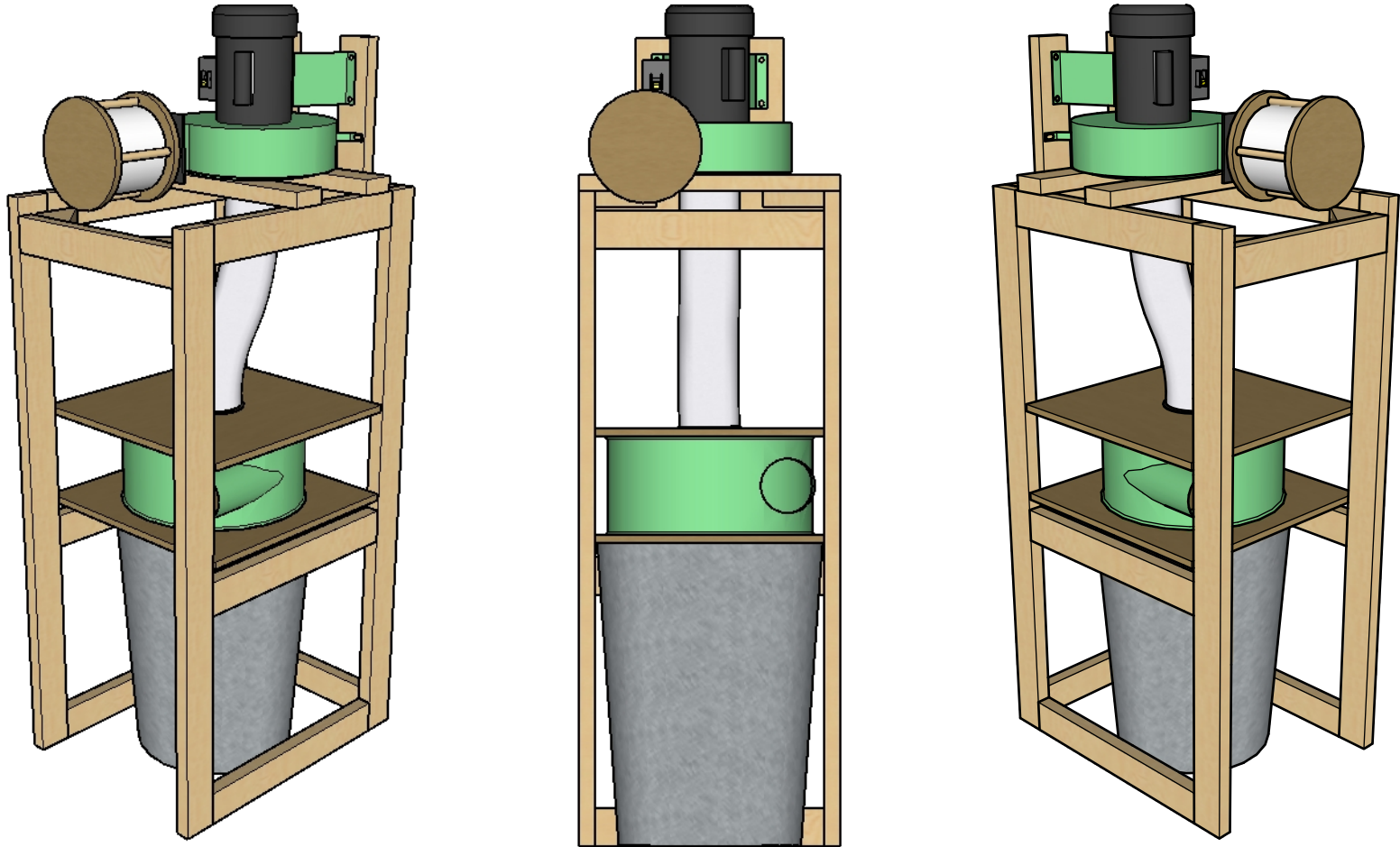


# Dust Collection Mod



# Overview

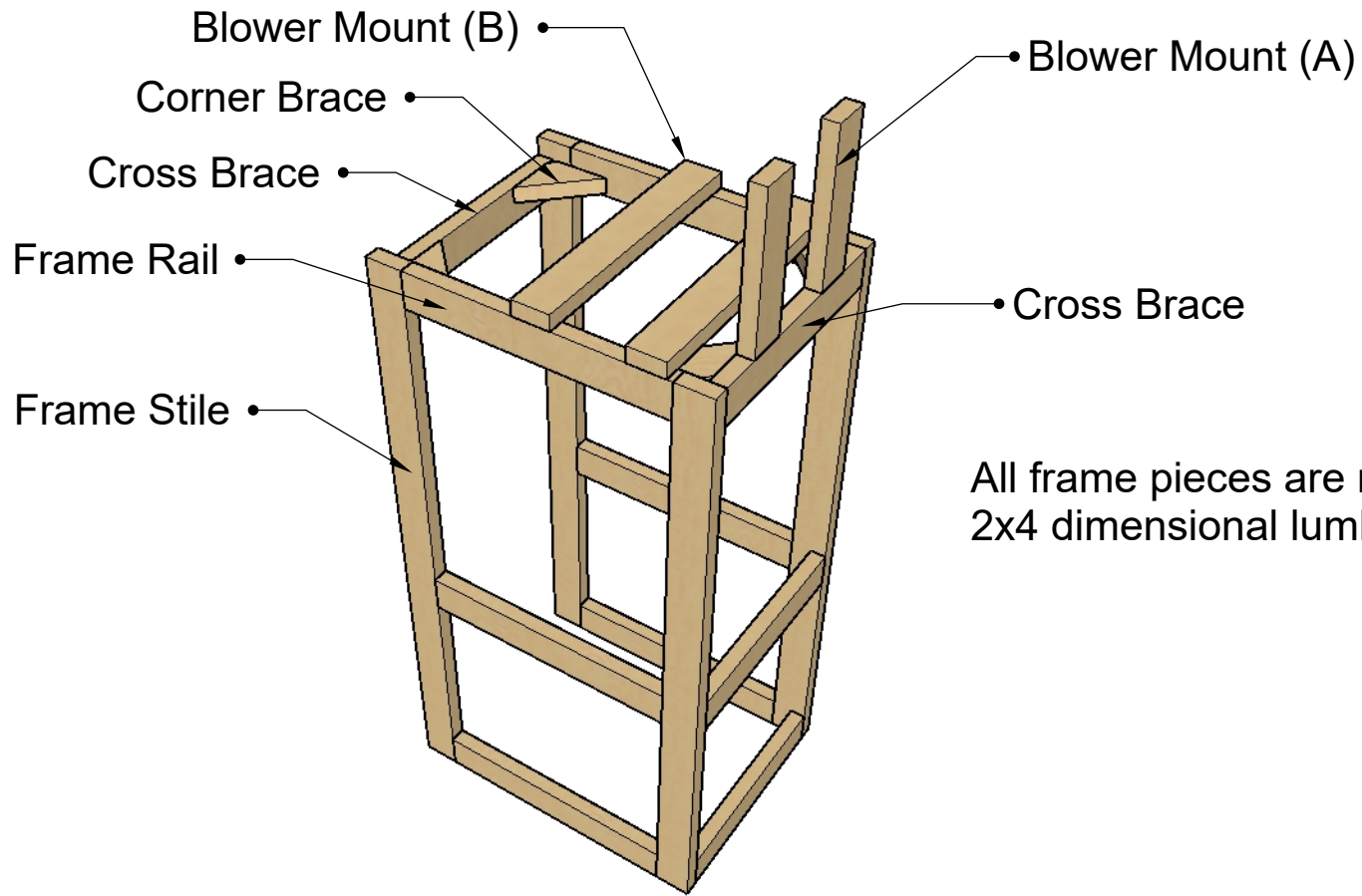


**Author:** Kyle Cameron  
**Company:** Golden Coast Woodworks  
**Date:** July 2, 2021  
**File Name:** Dust Collection Mod

Overview

**Plan Notes:**

## Parts Identification



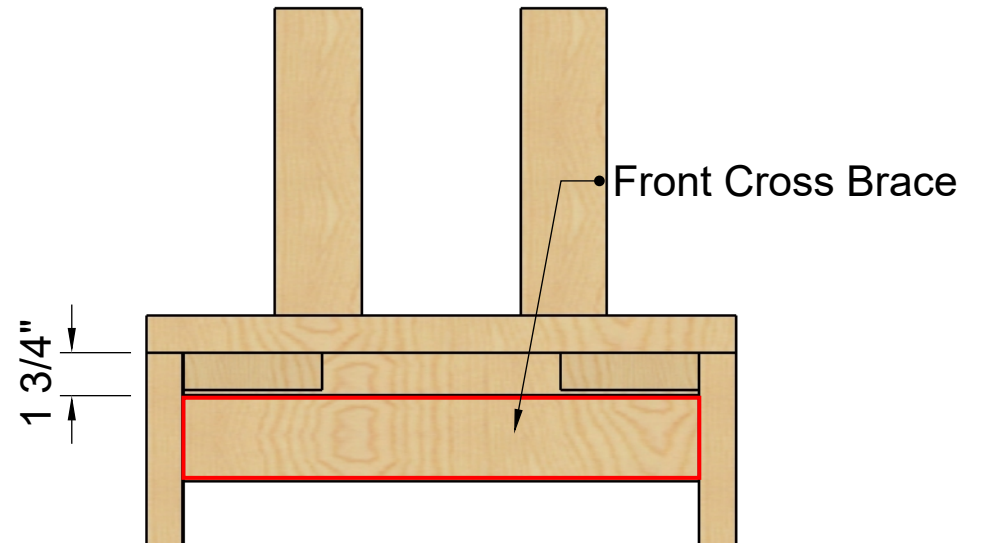
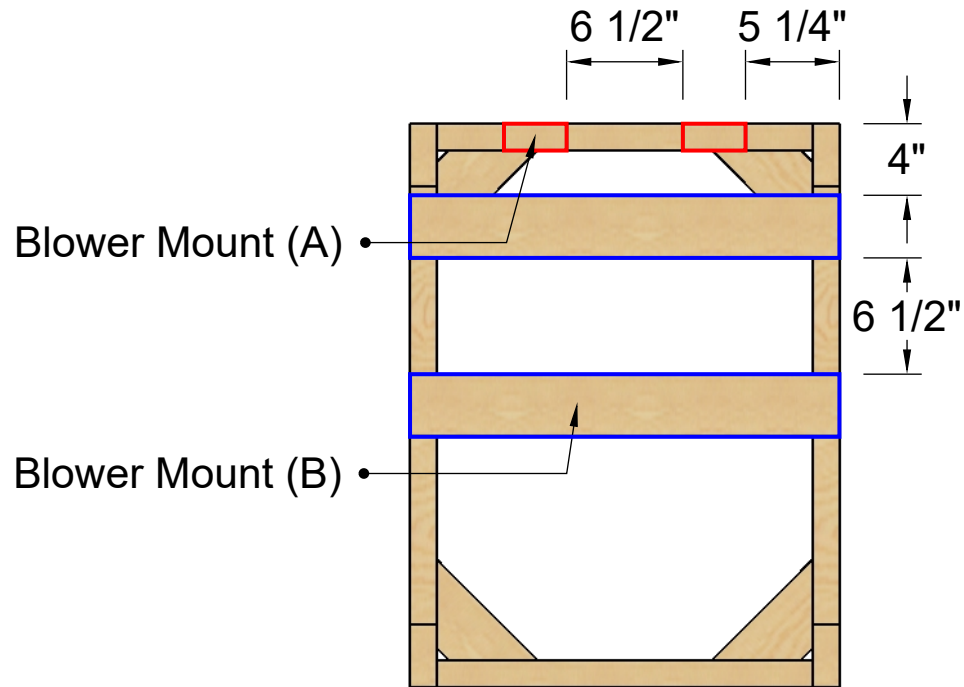
All frame pieces are made from 2x4 dimensional lumber.



**Author:** Kyle Cameron  
**Company:** Golden Coast Woodworks  
**Date:** July 2, 2021  
**File Name:** Dust Collection Mod

**Plan Notes:**

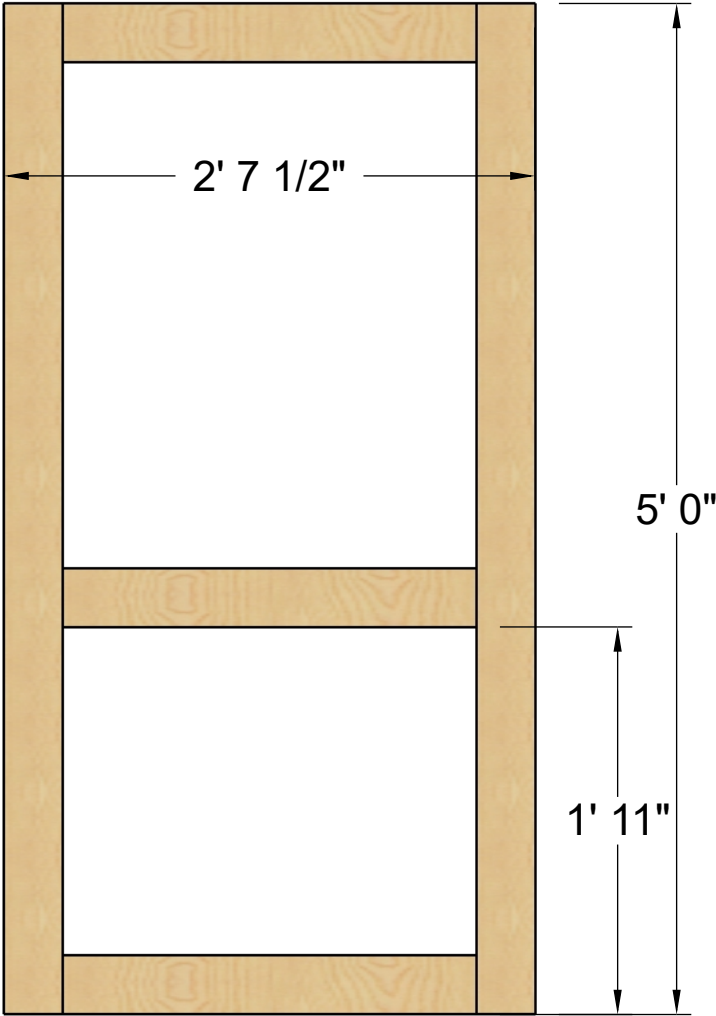
# Frame Parts Placement



**Author:** Kyle Cameron  
**Company:** Golden Coast Woodworks  
**Date:** July 2, 2021  
**File Name:** Dust Collection Mod  
 Frame Parts Placement **Page:** 3

**Plan Notes:**

**L/R Frame Assembly**

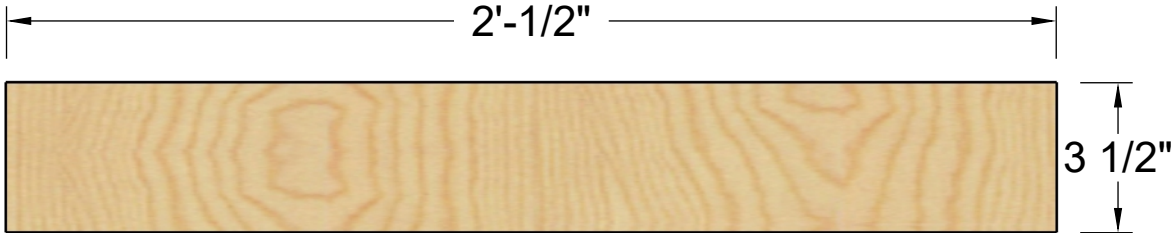


**Author:** Kyle Cameron  
**Company:** Golden Coast Woodworks  
**Date:** July 2, 2021  
**File Name:** Dust Collection Mod  
L/R Frame Assembly

**Plan Notes:**

**Page:** 4

**Frame Rail**

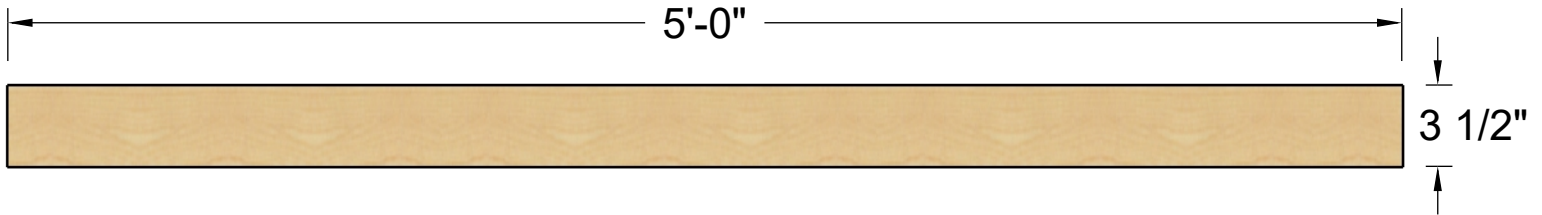


**Author:** Kyle Cameron  
**Company:** Golden Coast Woodworks  
**Date:** July 2, 2021  
**File Name:** Dust Collection Mod  
Frame Rail

**Plan Notes:**

**Page:** 5

**Frame Stile**

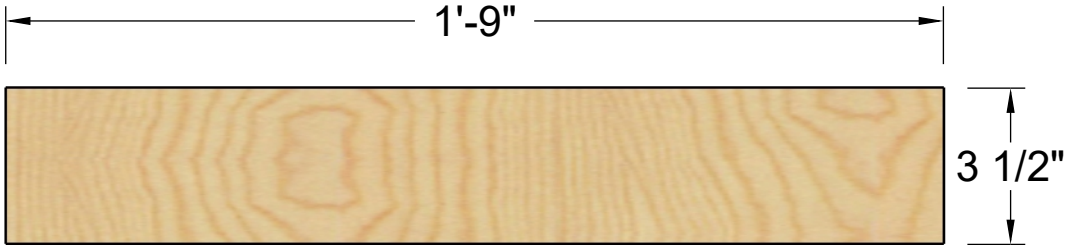


**Author:** Kyle Cameron  
**Company:** Golden Coast Woodworks  
**Date:** July 2, 2021  
**File Name:** Dust Collection Mod  
Frame Stile

**Plan Notes:**

**Page:** 6

**Cross Brace**

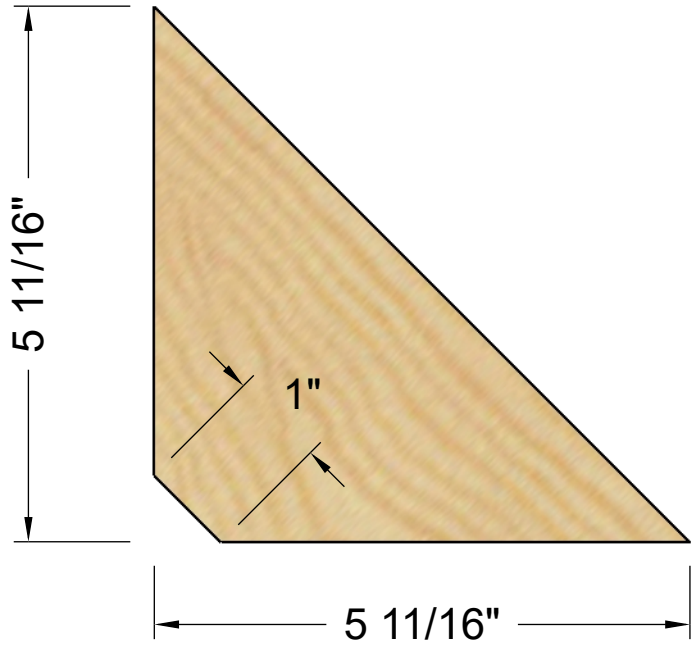


**Author:** Kyle Cameron  
**Company:** Golden Coast Woodworks  
**Date:** July 2, 2021  
**File Name:** Dust Collection Mod  
Cross Brace

**Plan Notes:**  
  
  
  
  
  
  
  
  
  
**Page:** 7



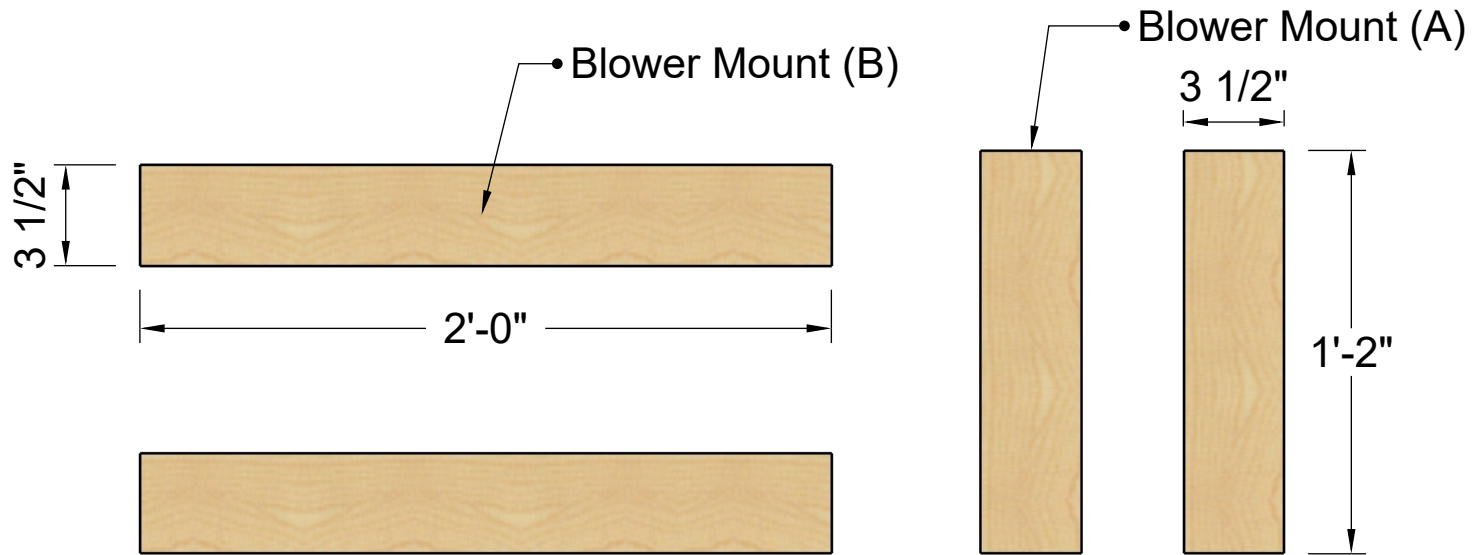
**Corner Brace**



**Author:** Kyle Cameron  
**Company:** Golden Coast Woodworks  
**Date:** July 2, 2021  
**File Name:** Dust Collection Mod  
Corner Brace

**Plan Notes:**  
  
  
  
  
  
  
  
  
  
**Page:** 8

# Cross Braces



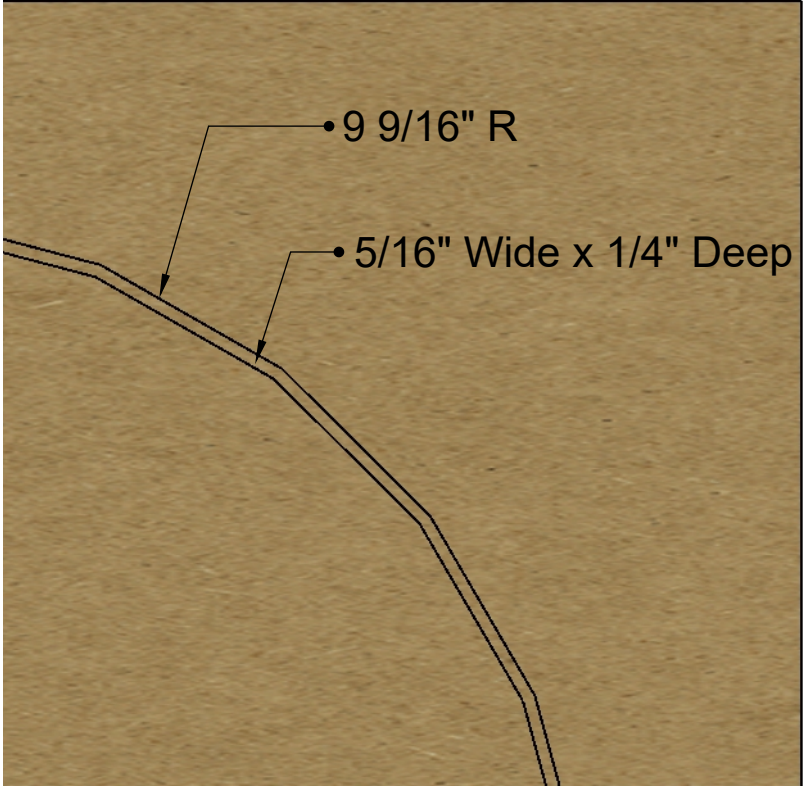
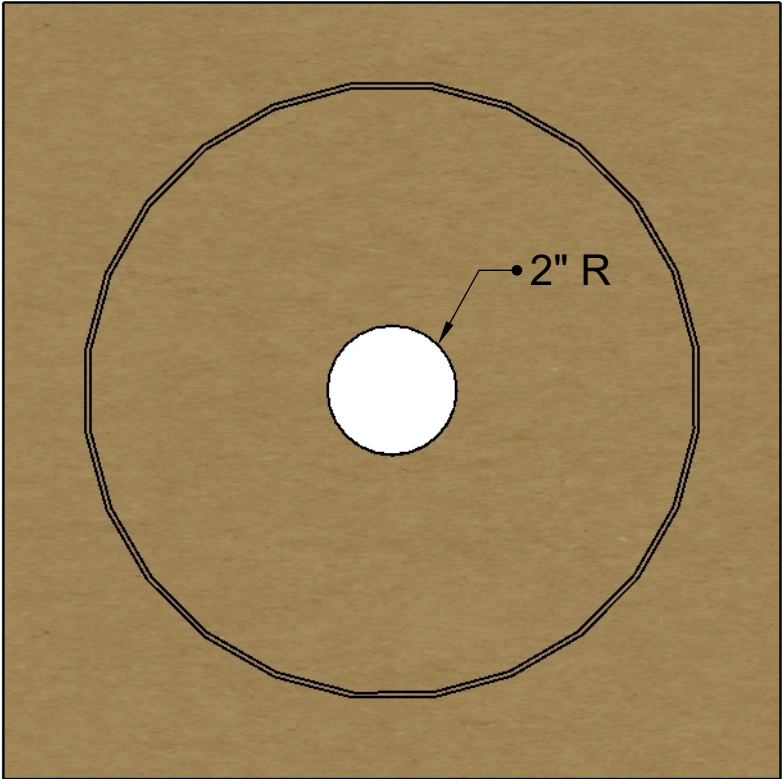
**Author:** Kyle Cameron  
**Company:** Golden Coast Woodworks  
**Date:** July 2, 2021  
**File Name:** Dust Collection Mod

|              |                |
|--------------|----------------|
| Cross Braces | <b>Page:</b> 9 |
|--------------|----------------|

**Plan Notes:**

## Top Baffle - Bottom Side

There are no slots routed into the top side of this piece of the baffle. The only addition to the top side is a 4 inch dust collection fitting. See the video tutorial on YouTube if this this isn't clear.

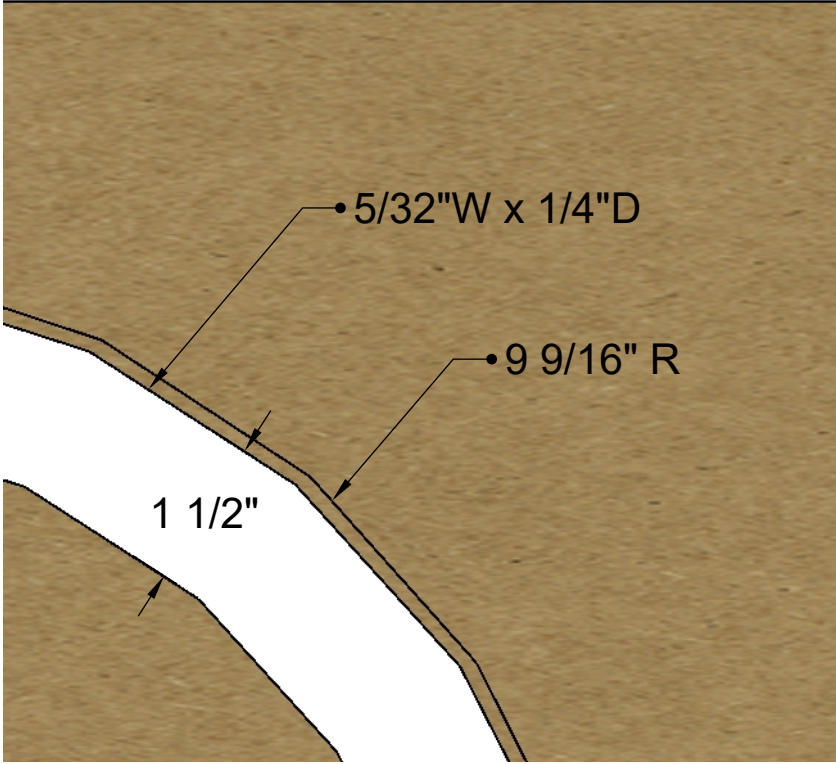
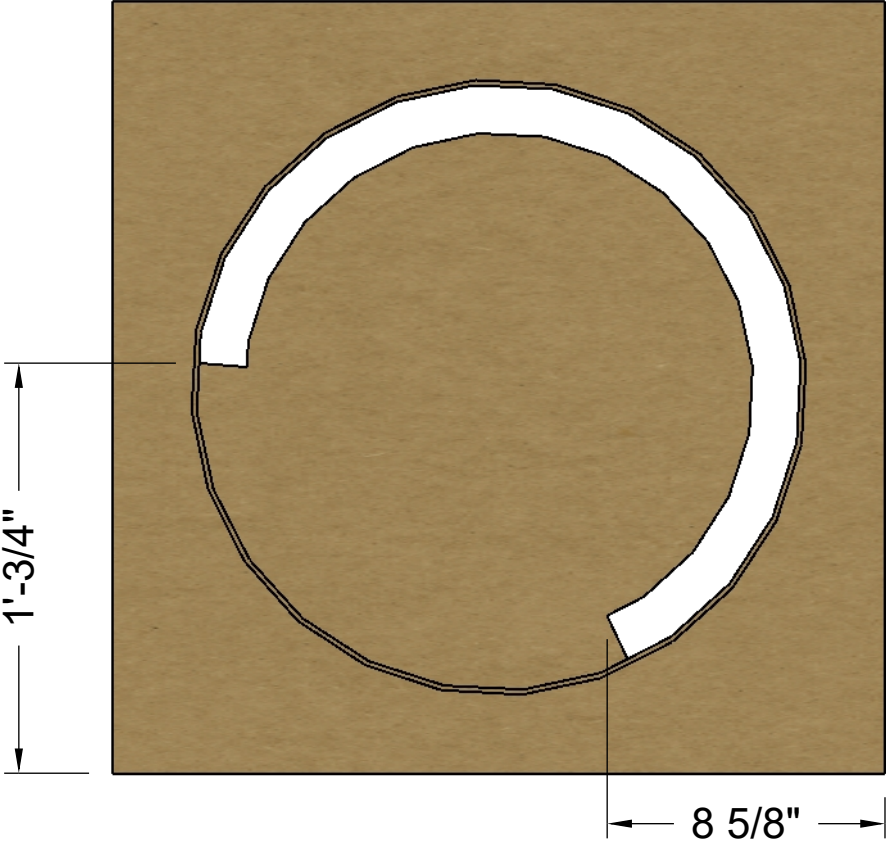


**Author:** Kyle Cameron  
**Company:** Golden Coast Woodworks  
**Date:** July 2, 2021  
**File Name:** Dust Collection Mod  
Top Baffle - Bottom Side

**Plan Notes:**

## Bottom Baffle - Top Side

The through slot on the bottom section of the baffle is a 240° arc. The slot that the baffle sits in is 5/32 wide and 1/4" deep.

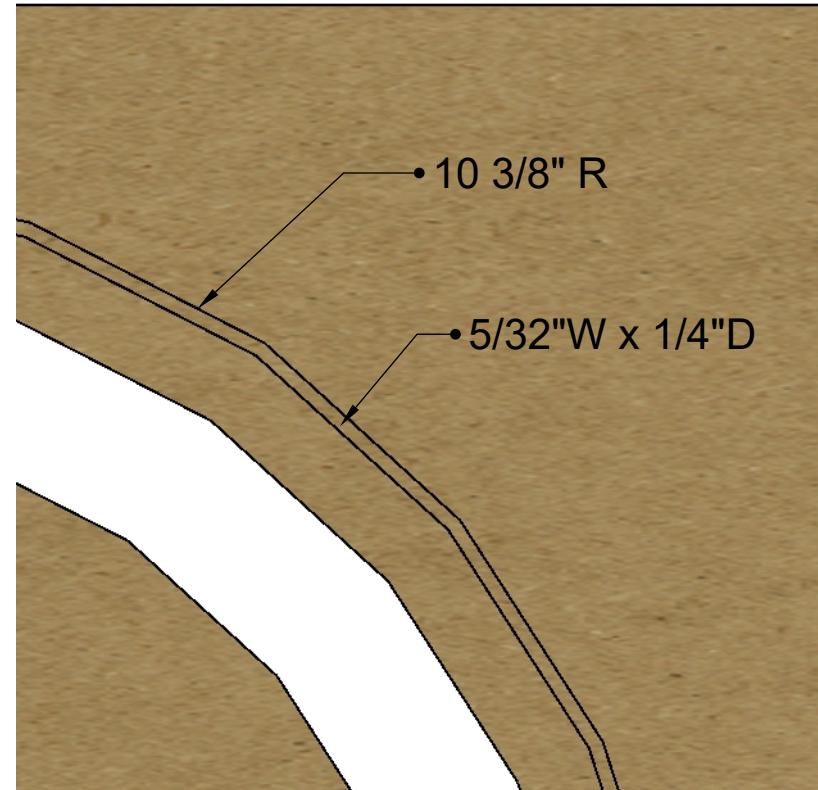
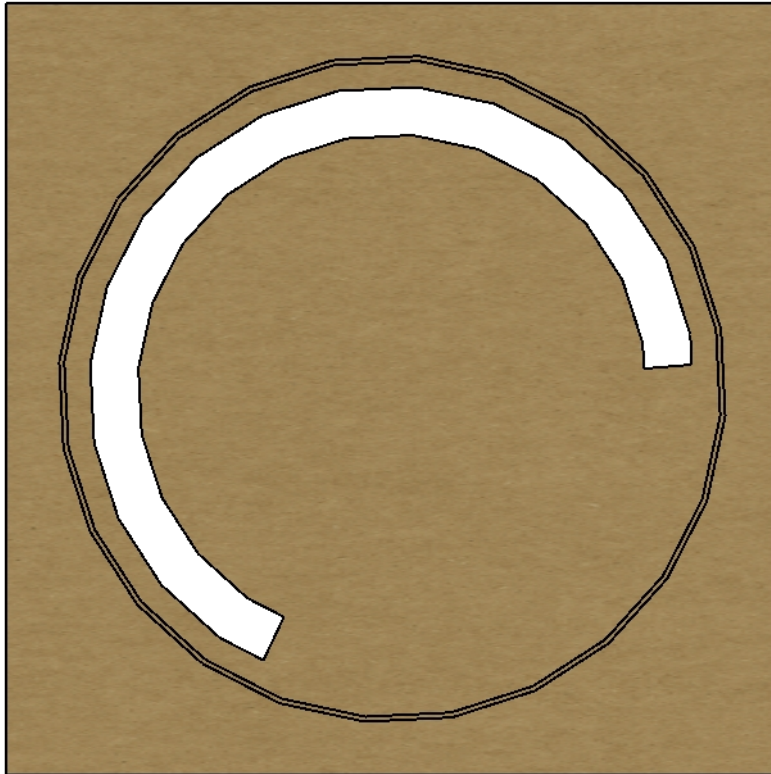


**Author:** Kyle Cameron  
**Company:** Golden Coast Woodworks  
**Date:** July 2, 2021  
**File Name:** Dust Collection Mod  
Bottom Baffle - Top Side

**Plan Notes:**

## Bottom Baffle - Bottom Side

The slot that the collection bin sits in is  $5/32$ " wide and  $1/4$ " deep.



**Author:** Kyle Cameron

**Company:** Golden Coast Woodworks

**Date:** July 2, 2021

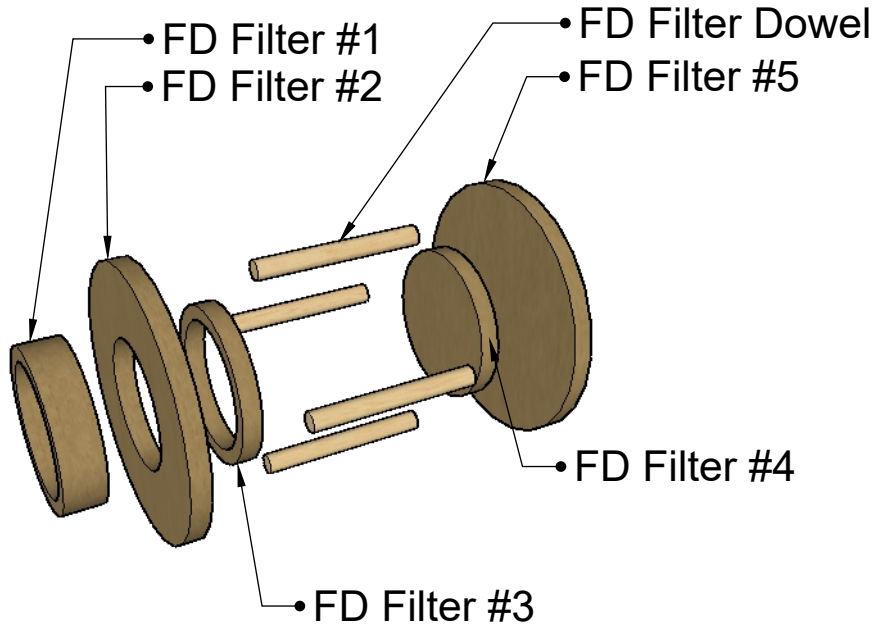
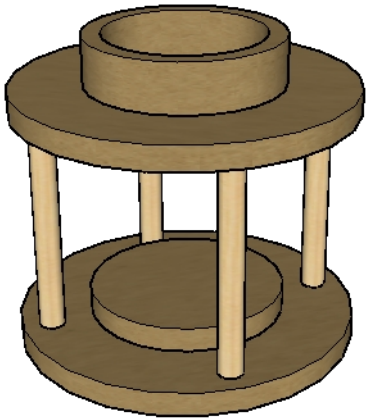
**File Name:** Dust Collection Mod

Bottom Baffle - Bottom Side

**Page:** 12

**Plan Notes:**

# Fine Dust Filter



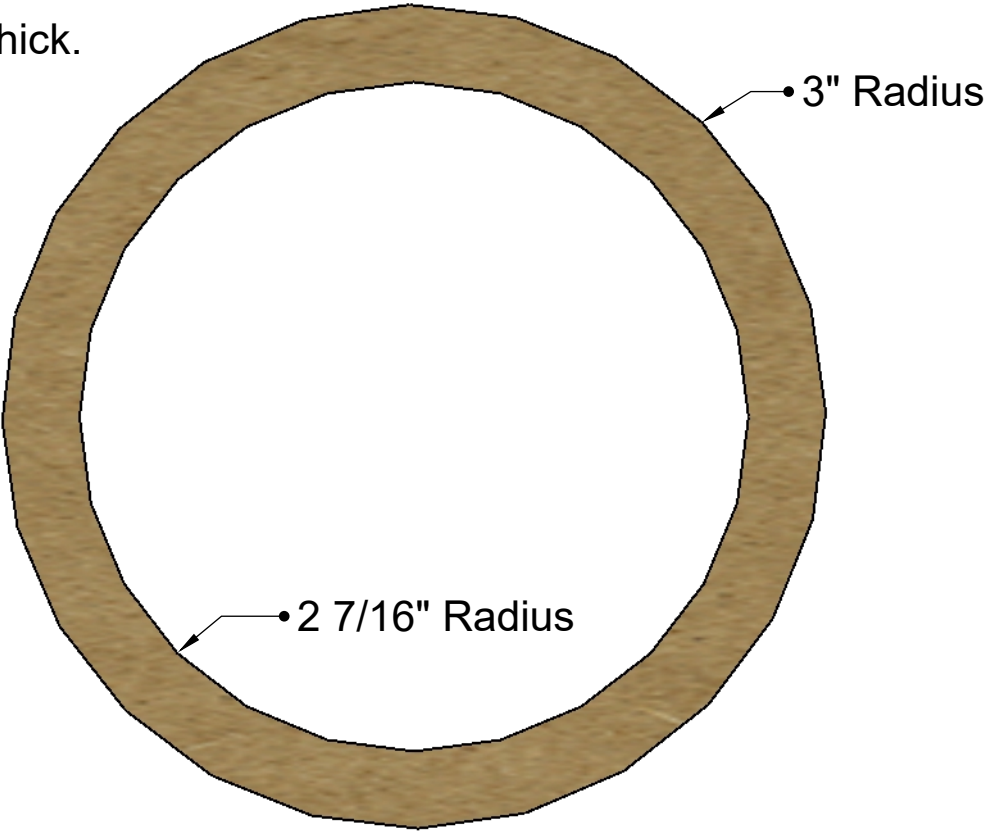
**Author:** Kyle Cameron  
**Company:** Golden Coast Woodworks  
**Date:** July 2, 2021  
**File Name:** Dust Collection Mod

|                  |                 |
|------------------|-----------------|
| Fine Dust Filter | <b>Page:</b> 13 |
|------------------|-----------------|

**Plan Notes:**

**FD Filter #1**

This piece is made from 3/4" MDF and is 1 1/2" thick. Two pieces of 3/4" MDF are glued together to achieve this thickness.

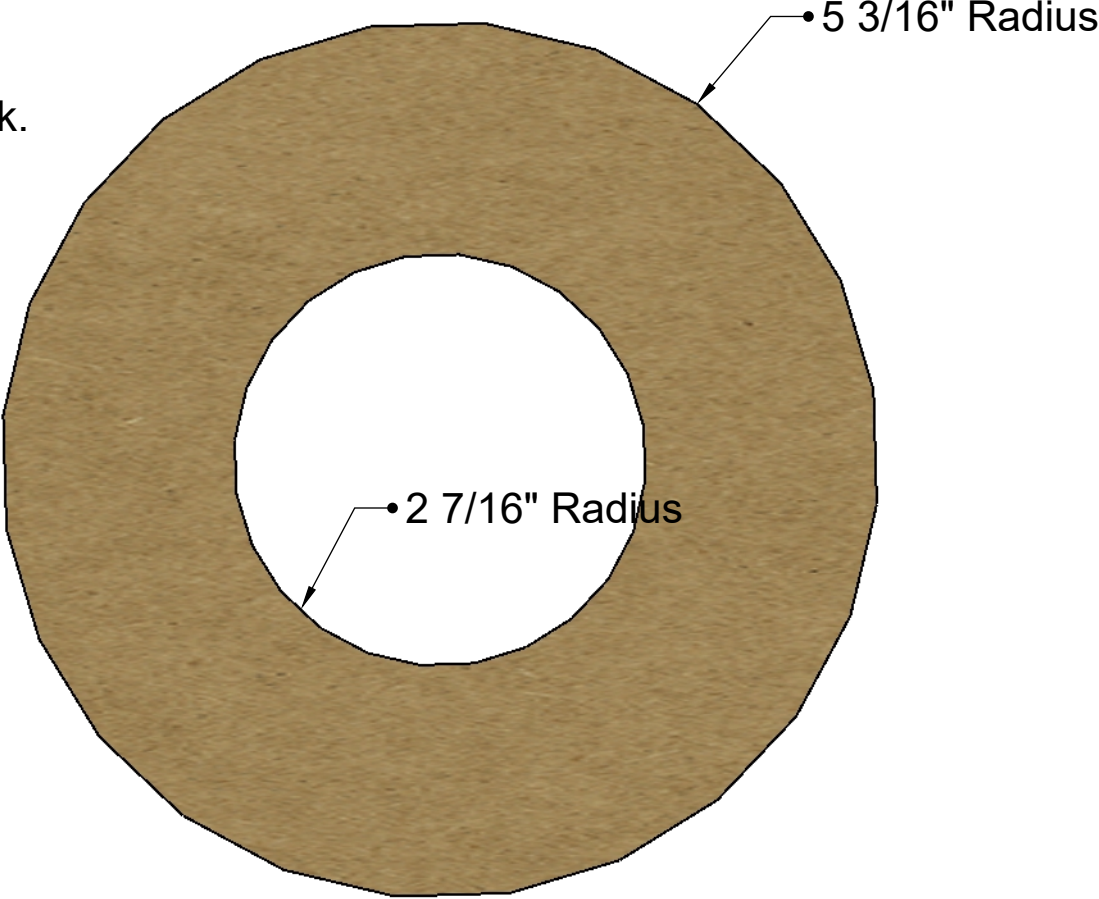


**Author:** Kyle Cameron  
**Company:** Golden Coast Woodworks  
**Date:** July 2, 2021  
**File Name:** Dust Collection Mod  
FD Filter #1

**Plan Notes:**  
  
  
  
  
  
  
  
  
  
**Page:** 14

**FD Filter #2**

This piece is made from 3/4" MDF and is 3/4" thick.



**Author:** Kyle Cameron  
**Company:** Golden Coast Woodworks  
**Date:** July 2, 2021  
**File Name:** Dust Collection Mod

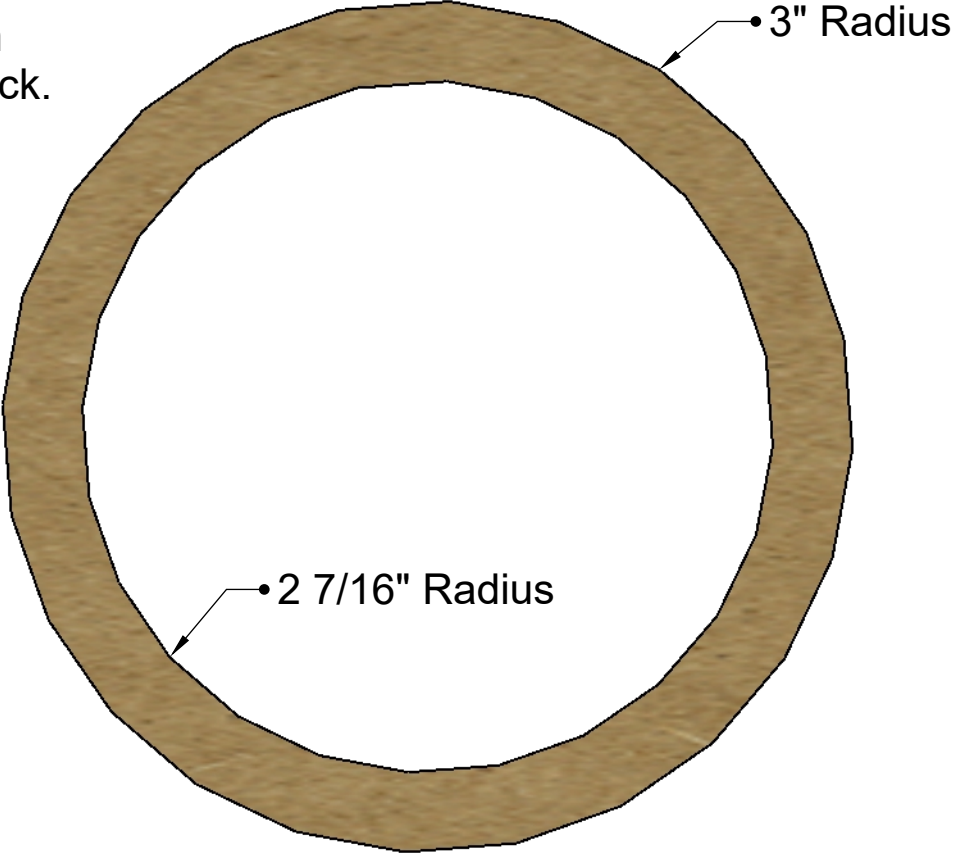
|              |                 |
|--------------|-----------------|
| FD Filter #2 | <b>Page:</b> 15 |
|--------------|-----------------|

**Plan Notes:**



**FD Filter #3**

This piece is made from 3/4" MDF and is 3/4" thick.

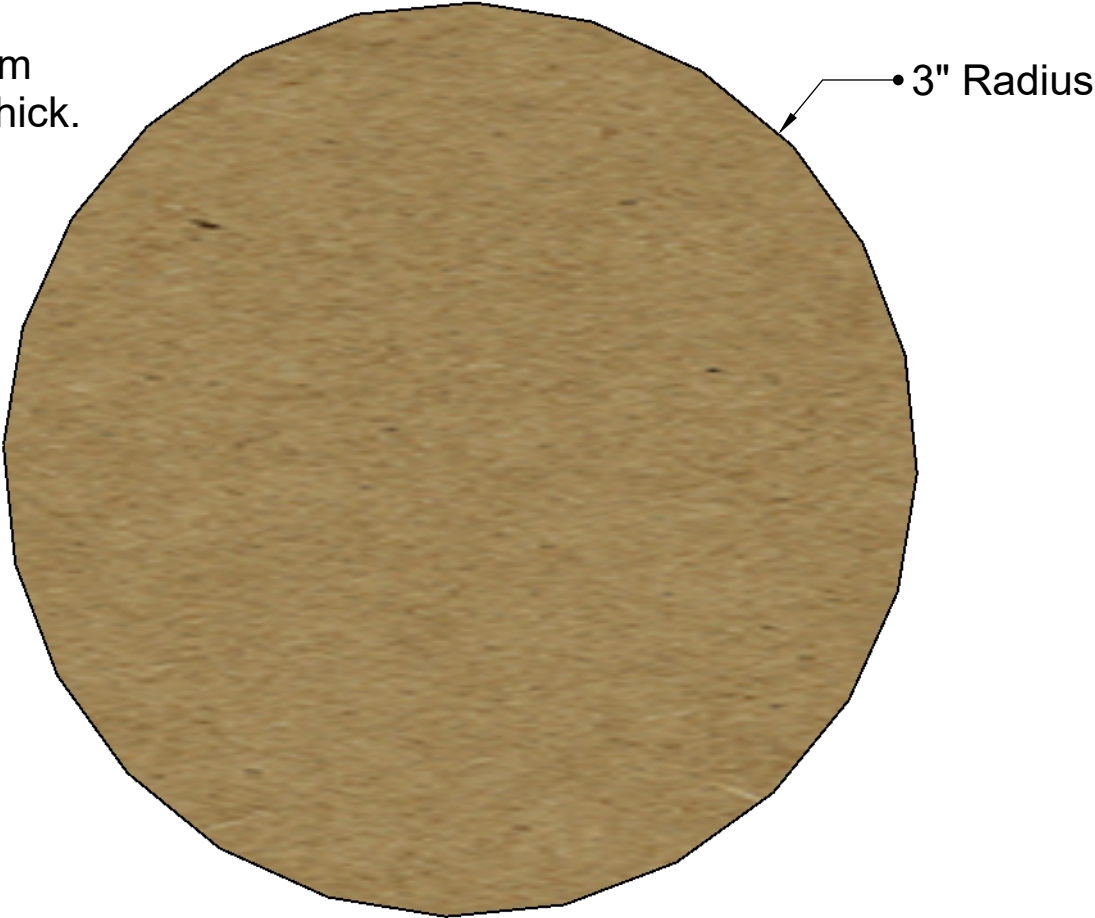


**Author:** Kyle Cameron  
**Company:** Golden Coast Woodworks  
**Date:** July 2, 2021  
**File Name:** Dust Collection Mod  
FD Filter #3

**Plan Notes:**  
  
  
  
  
  
  
  
  
  
**Page:** 16

**FD Filter #4**

This piece is made from 3/4" MDF and is 3/4" thick.

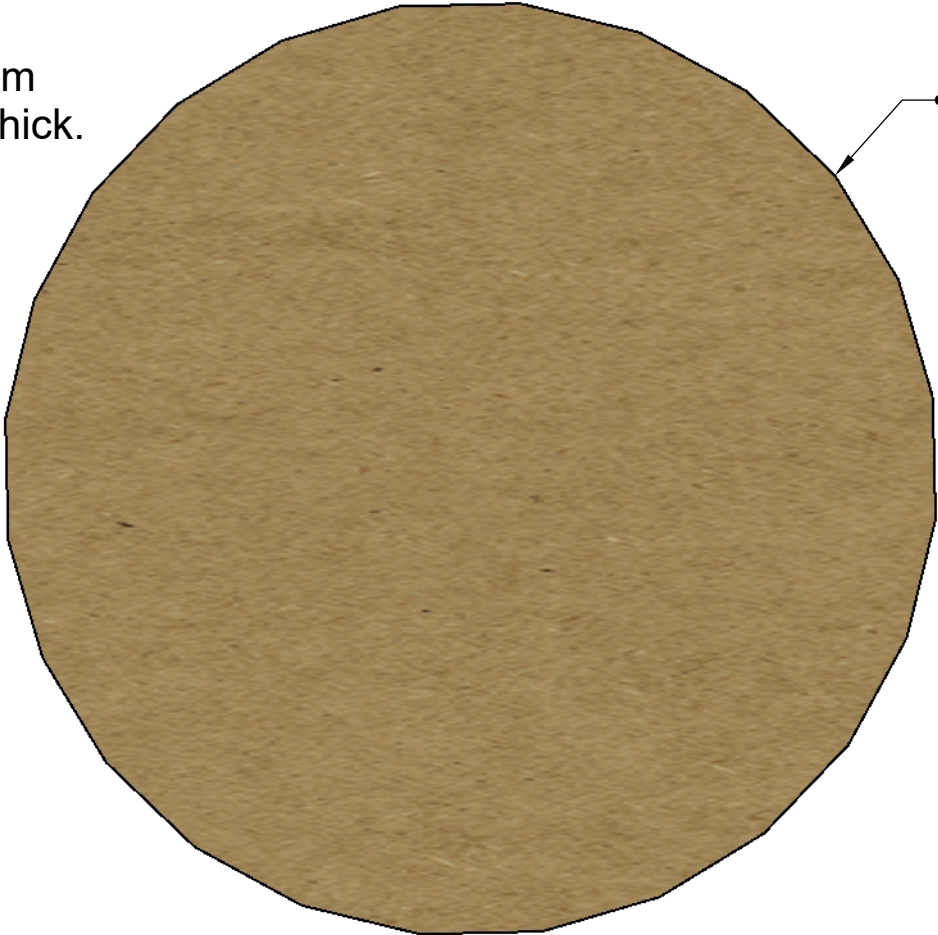


**Author:** Kyle Cameron  
**Company:** Golden Coast Woodworks  
**Date:** July 2, 2021  
**File Name:** Dust Collection Mod  
FD Filter #4

**Plan Notes:**  
  
  
  
  
  
  
  
  
  
**Page:** 17

**FD Filter #5**

This piece is made from 3/4" MDF and is 3/4" thick.



• 5 3/16" Radius



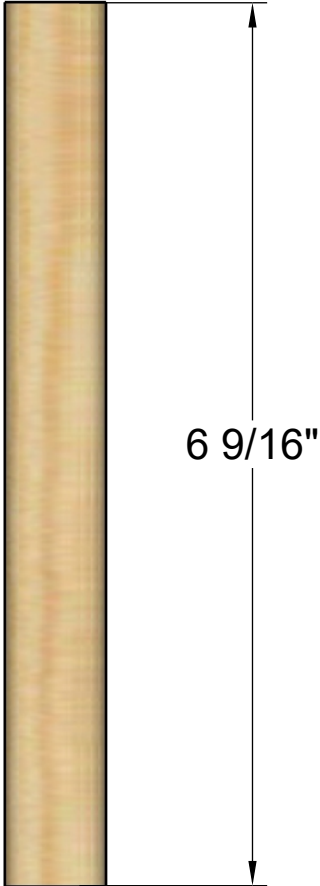
**Author:** Kyle Cameron  
**Company:** Golden Coast Woodworks  
**Date:** July 2, 2021  
**File Name:** Dust Collection Mod  
FD Filter #5

**Plan Notes:**

**Page:** 18

**FD Filter Dowel**

This is a 3/4" Dowel.



**Author:** Kyle Cameron  
**Company:** Golden Coast Woodworks  
**Date:** July 2, 2021  
**File Name:** Dust Collection Mod  
FD Filter Dowel

**Plan Notes:**  
**Page:** 19